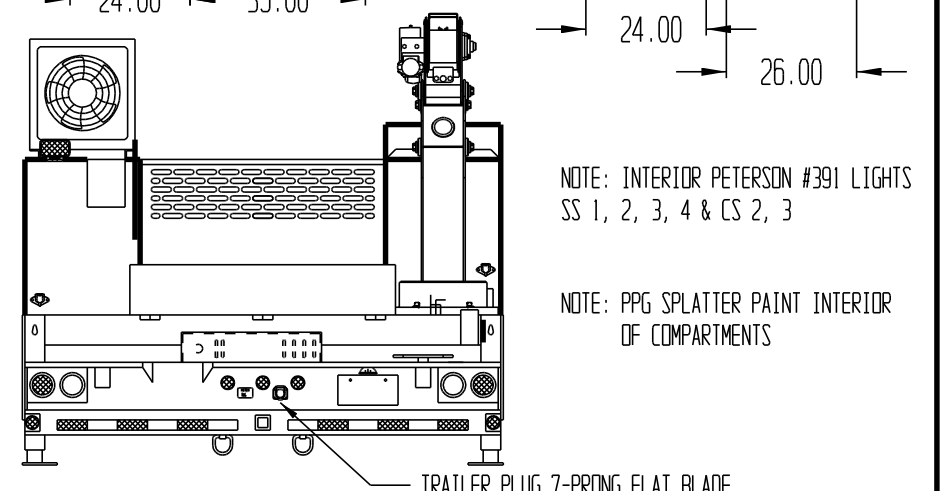
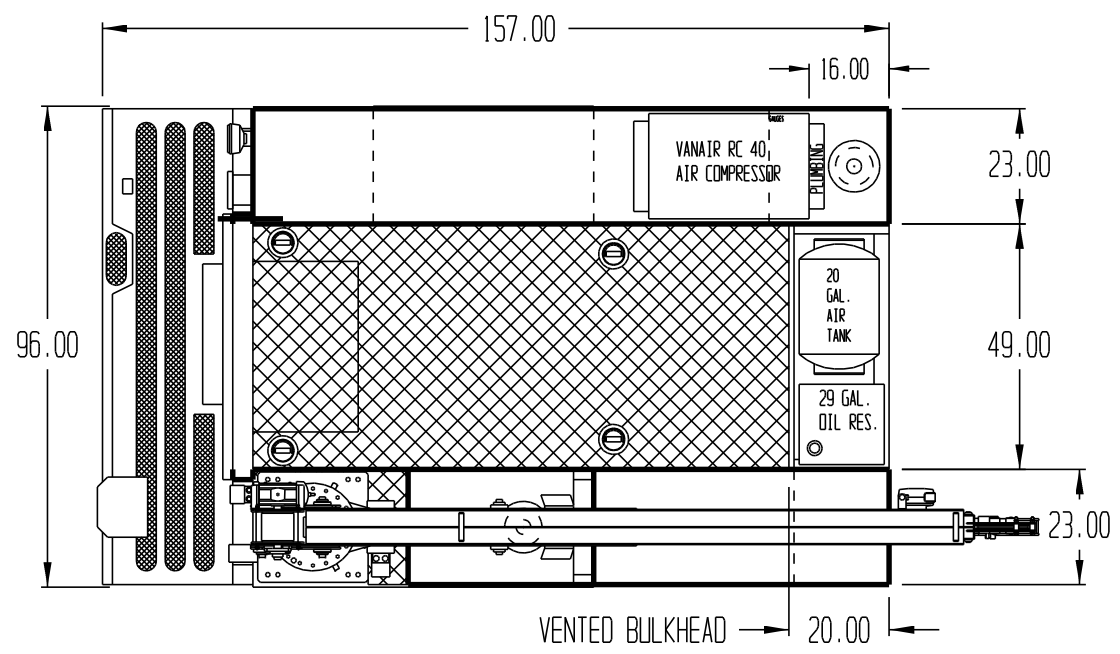
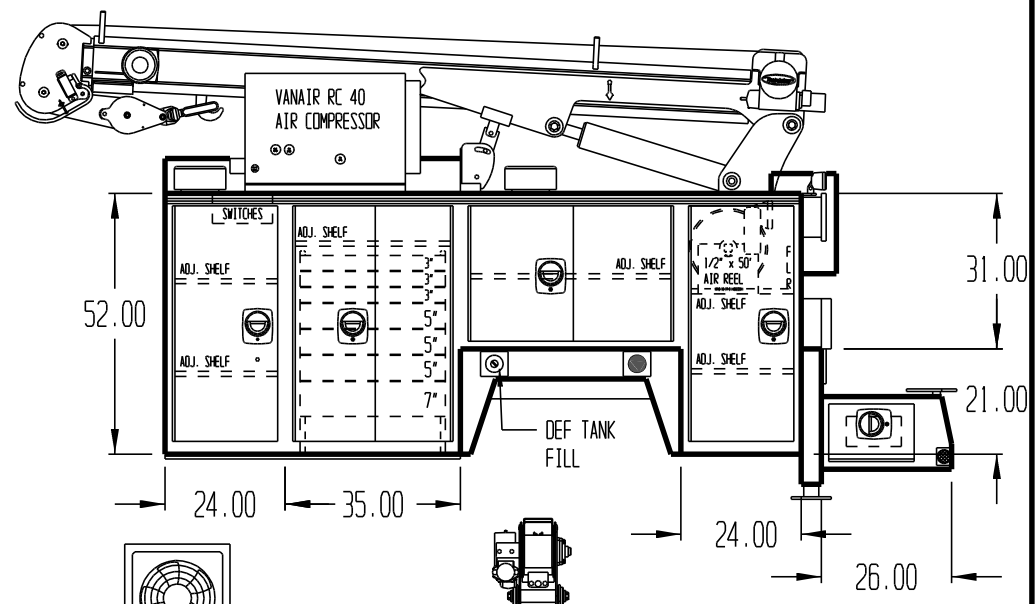
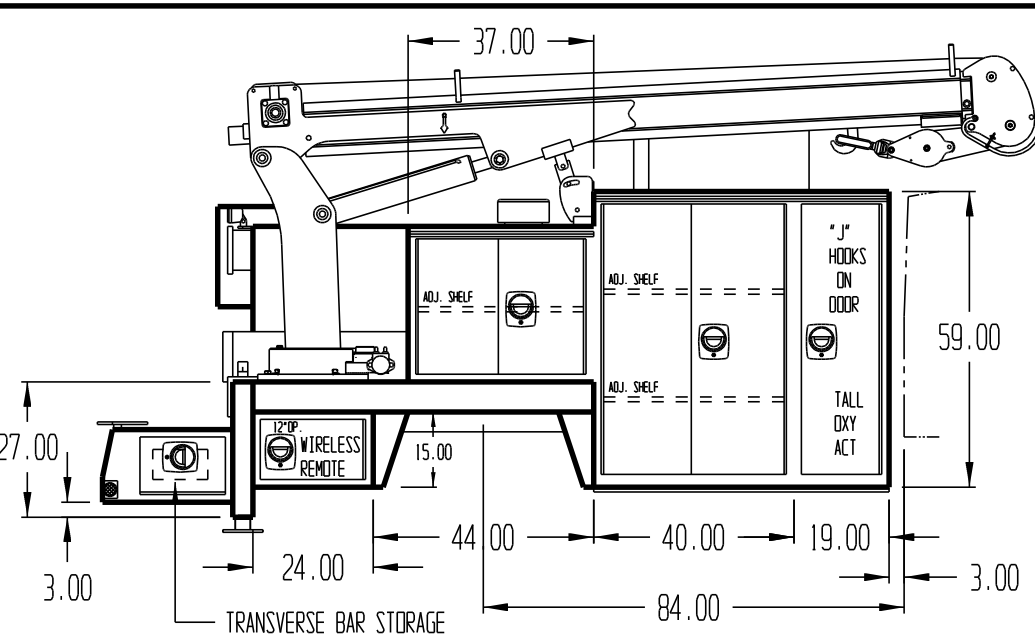


APPROVED BY _____

DATE _____

PAINT CODE _____

Z1 OXFORD WHITE



NOTE:
USABLE CENTER DECK
CARGO WIDTH 48.50"

NOTE:
10" TALL SUBFRAME
WITH FORMED CROSS
MEMBER ANGLES

THIS PRINT CONTAINS CONFIDENTIAL INFORMATION AND IS THE SOLE PROPERTY OF MAINTAINER CORP. OF IOWA INC. AND IS NOT TO BE COPIED OR REPRODUCED WITHOUT THE EXPRESSED WRITTEN PERMISSION OF MAINTAINER CORP. OF IOWA INC.		PROPRIETARY DATA PROPERTY OF MAINTAINER CORPORATION OF IOWA, INC. COPYRIGHT © 2002	
UDS DIMENSIONS ARE IN INCHES GENERAL TOLERANCES		MATERIAL:	
BREAK ALL EDGES .01 X 45°	ANGULAR ± 1° .XX ± .03 .XXX ± .005	SCALE: 1:26	SIZE: B
UDS RADII	UDS ANGLES	DRAWING NUMBER: DA142	DFTM. ADB DATE: 5/30/12
MADE IN THE USA		H6520TT-1-084 HAG / STOCK - FORD F550	